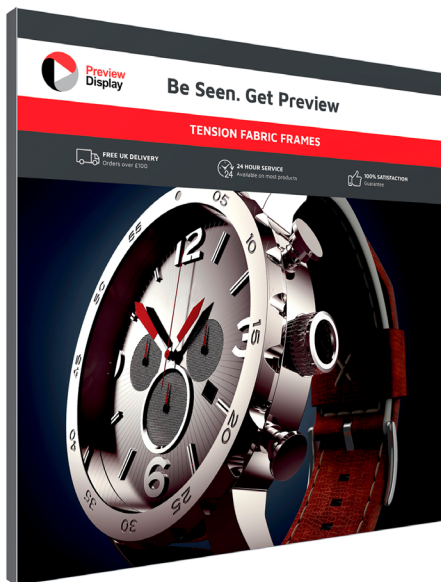




**Preview
Display**

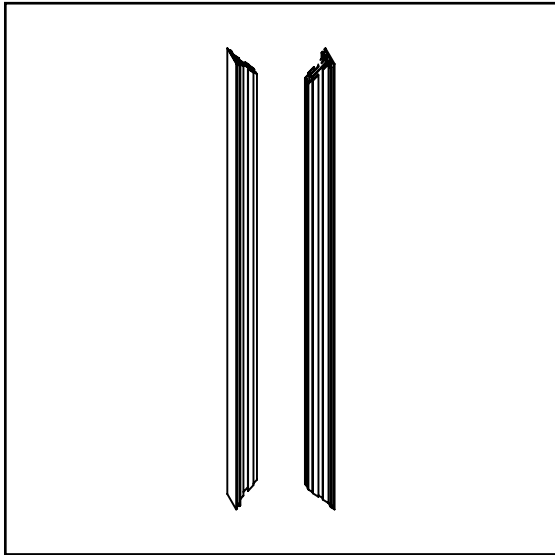
TENSION FABRIC FRAMES

Installation Guide

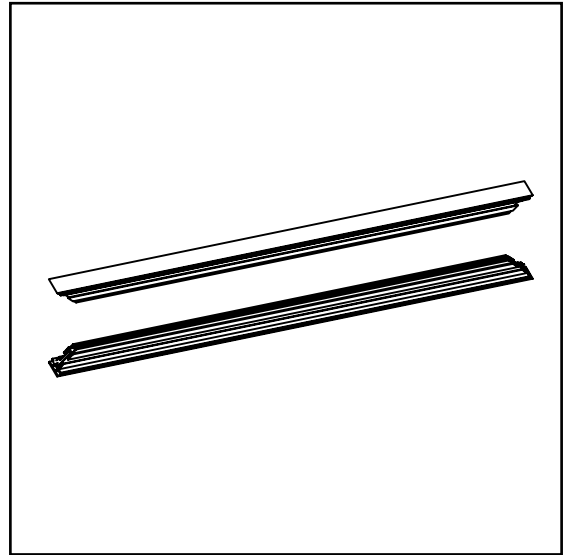


50mm Wall Frame

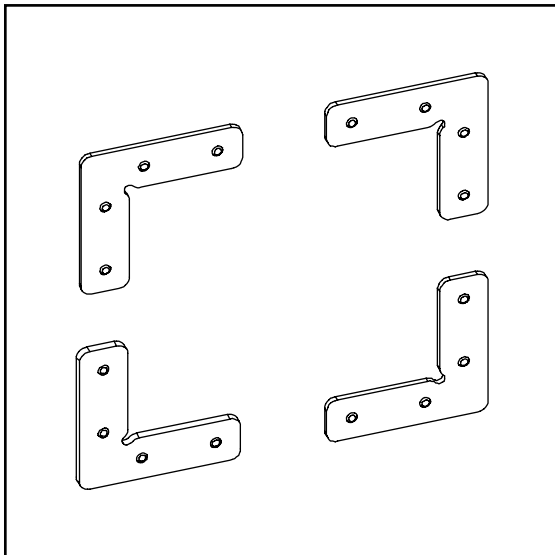
Your Kit Contains:



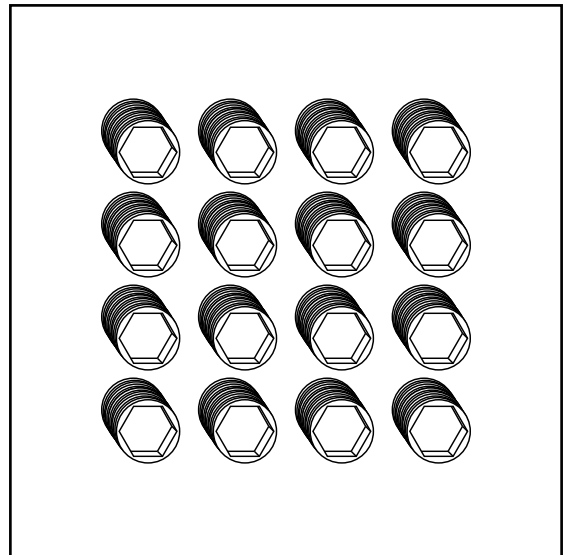
2x Vertical frame struts



2x Horizontal frame struts



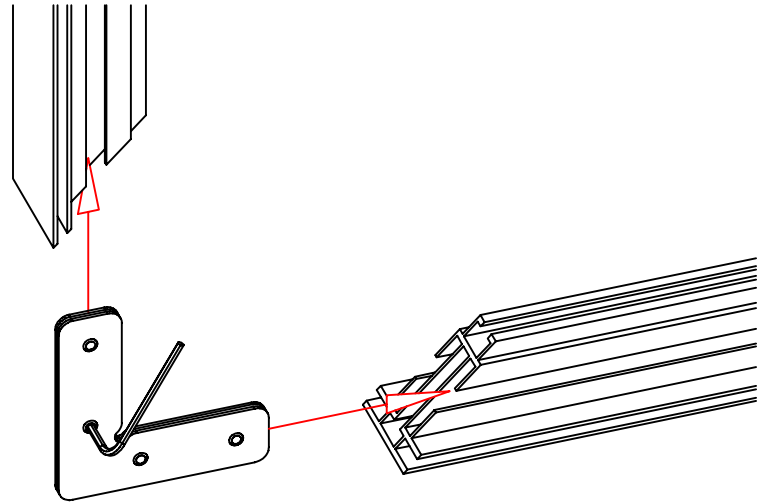
4x L-shaped corner brackets



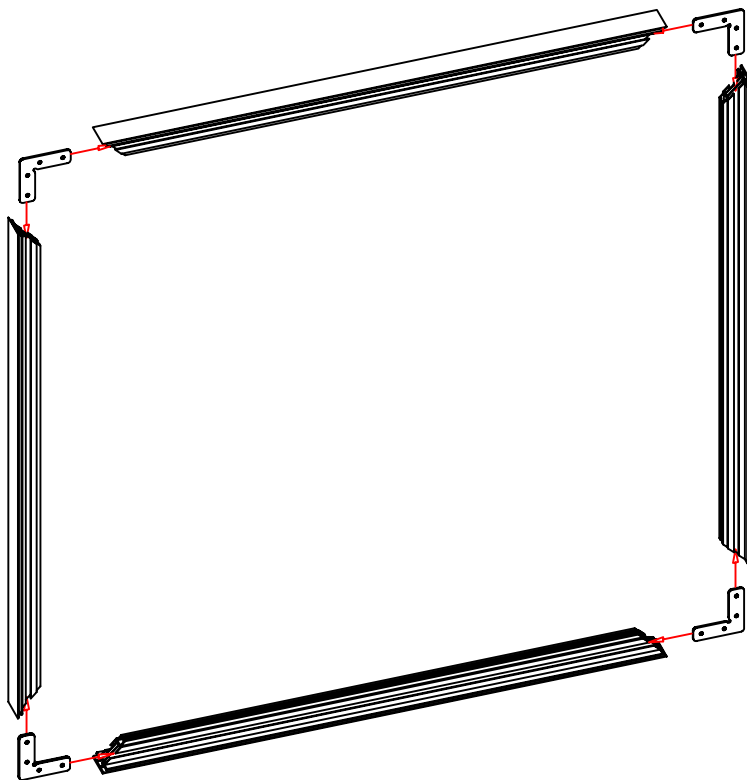
16x M6 Grub screws
for corner brackets

How To Assemble:

- 1** Begin by fastening the 'L' brackets into the bottom piece of frame using the supplied grub screws and an M6 Allen Key. (Fig. 1)
- 2** Next, slide the verticals onto the L brackets, and secure the grub screws.



(Fig. 1) 'L' bracket and aluminium profile



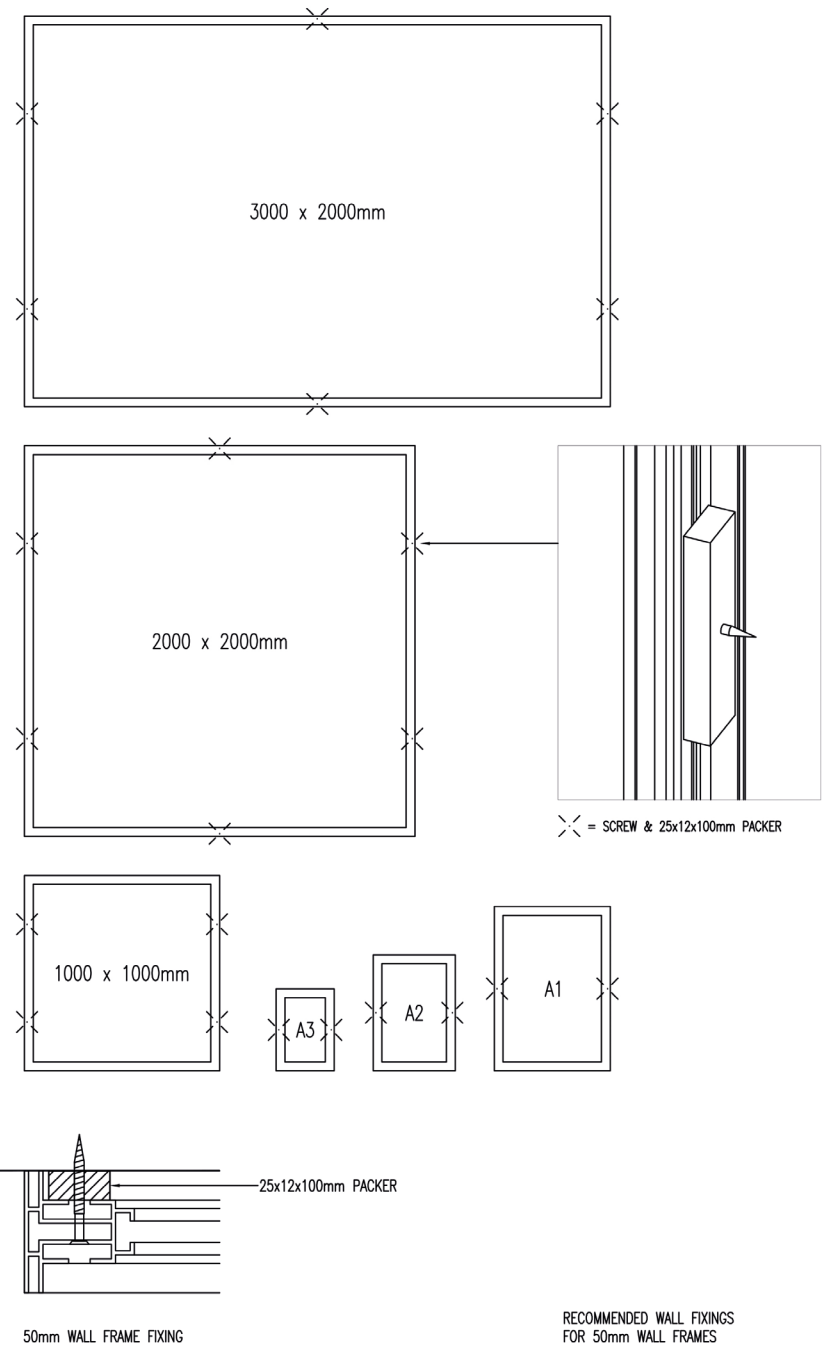
(Fig. 2) Exploded View of Tension Fabric Frame

- 3** For the Top of the frame, secure the L brackets first, before slotting the top bar with brackets into the tracks, then tighten to secure the frame. (Fig. 2)
- 4** Finally, secure the frame to the wall. We recommend a screw every 500mm, to guarantee a secure, safe fitment. Please note: wall frames are not pre drilled as standard, but can be done by us upon request.

Fixing to the Wall

The diagram to the right of the page, shows the recommended fixing locations for the 50mm wall frame.

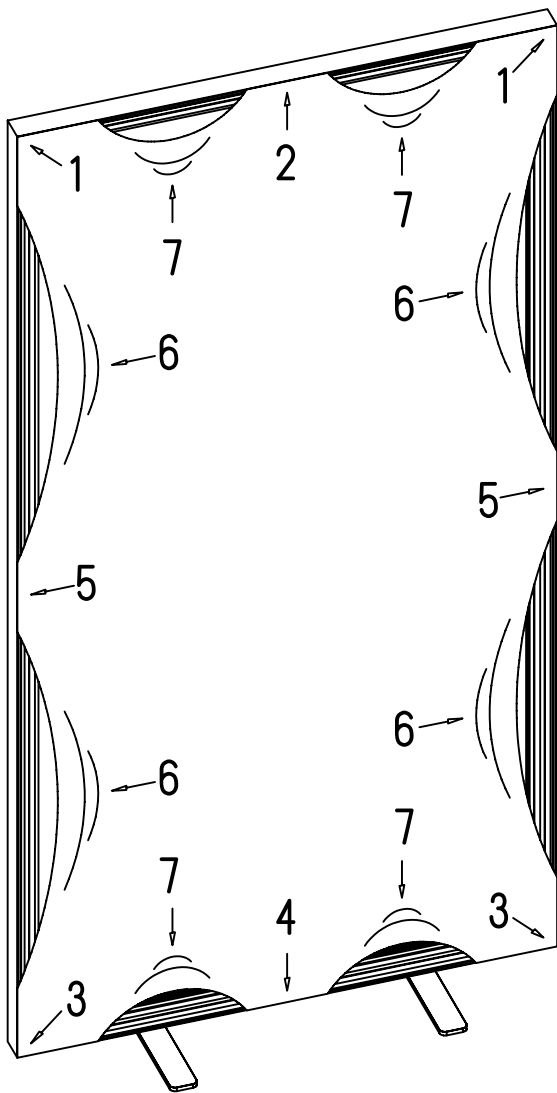
Packers are used to make the mounting area flush with the inside edge of the frame, and eliminate any buckling when screwing to the wall.



(Fig. 3) Diagram denoting the recommended wall fixing locations.

Installing Graphics:

- 1** First, insert the PVC edging of the graphic into the top left and right hand corners of the frame.
- 2** Next, insert the very middle of the top of the graphic into the track, to hold the top edge in place.



(Fig. 4) Graphic Fitting Diagram

- 3** After this, attach the bottom left and right hand corners into the PVC track.
- 4** Attach the middle part of the bottom graphic.
- 5** Insert the middle parts of the vertical edges of the fabric.
- 6** Secure the loose edges on the left and right sides of the frame.
- 7** Finally, insert the remaining PVC on the top and bottom edges of the frame, which will pull the graphic tight.