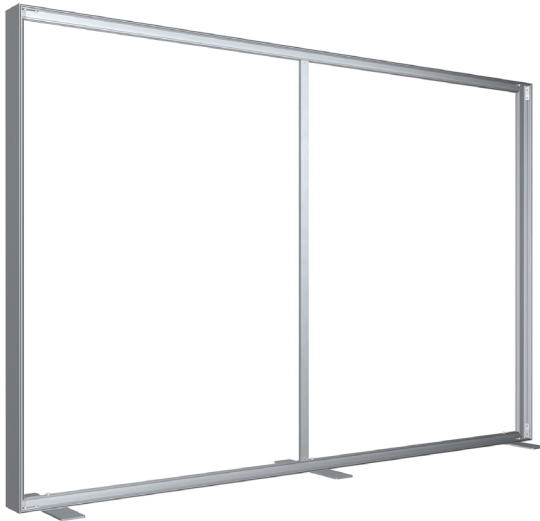




**Preview
Display**

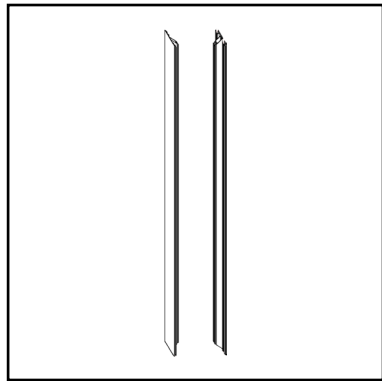
TENSION FABRIC FRAMES

Installation Guide

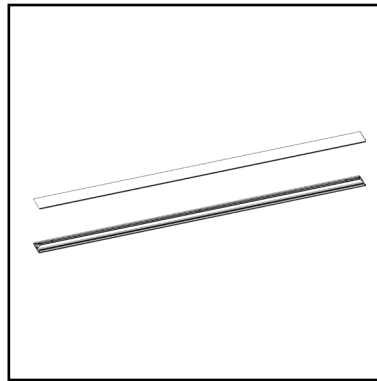


150mm Free Standing Frame

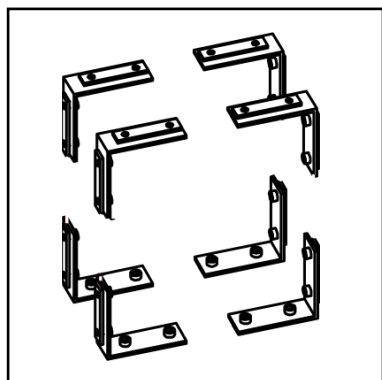
Your Kit Contains:



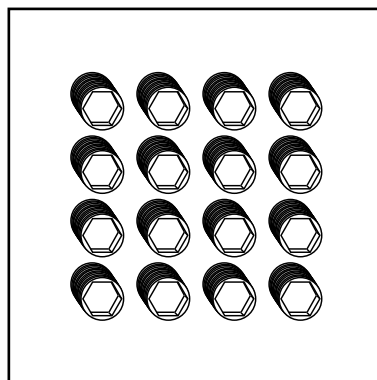
2x Vertical frame struts



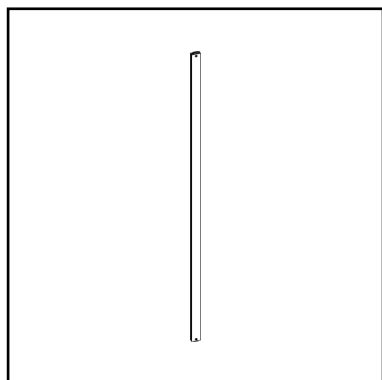
2x Horizontal frame struts



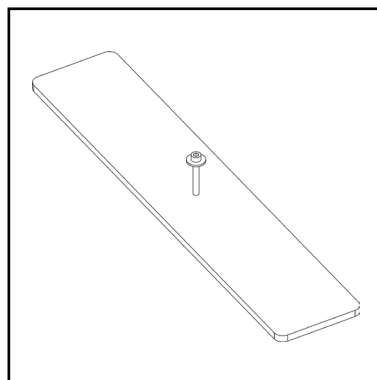
8x L-shaped corner brackets



32x M6 Grub screws
for corner brackets



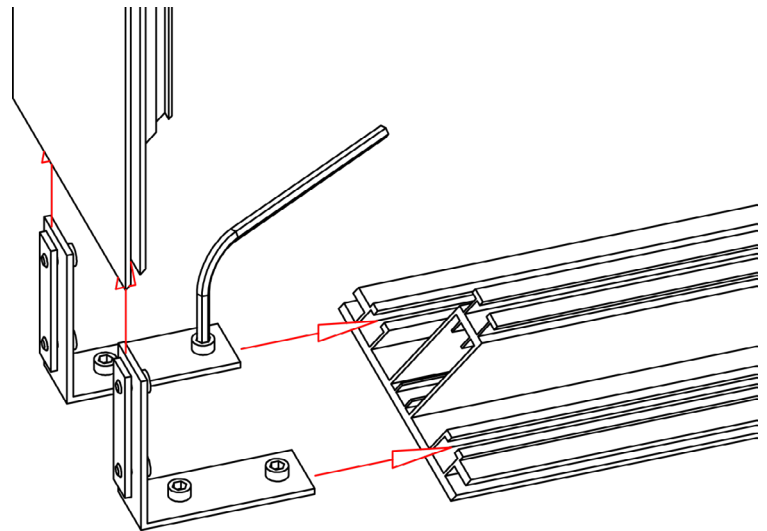
1 Vertical Brace (On frames
3 meters or more wide)



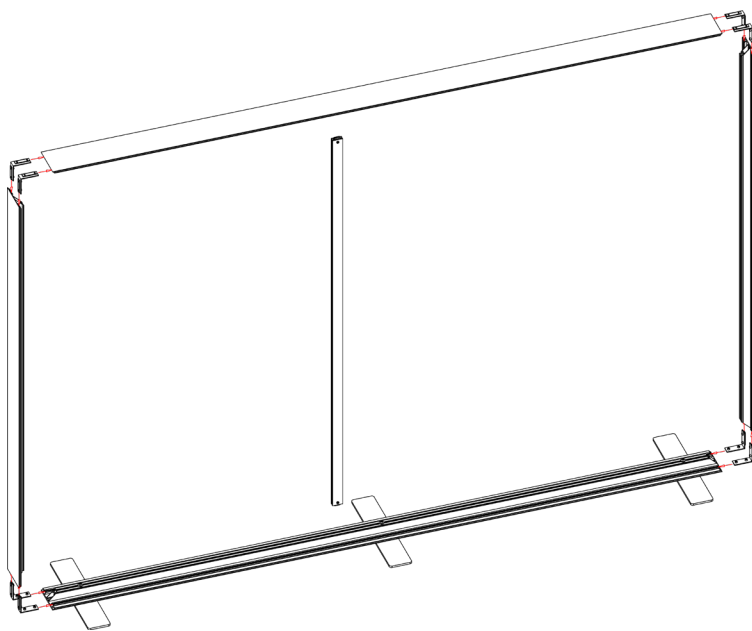
2/3 feet depending on
width with M6 screws.

How To Assemble:

- 1** Begin by fastening the 'L' brackets into the bottom piece of frame using the supplied grub screws and an M6 Allen Key. (Fig. 1)
- 2** Next, slide the verticals onto the L brackets, and secure the grub screws.



(Fig. 1) 'L' bracket and aluminium profile

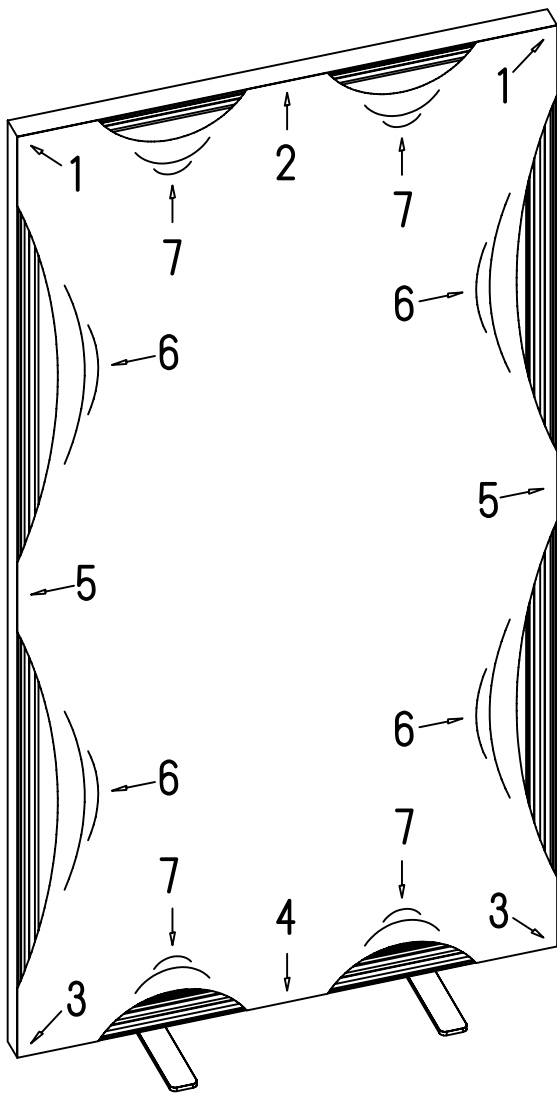


(Fig. 2) Exploded View of Tension Fabric Frame

- 3** For the Top of the frame, secure the L brackets first, before slotting the top bar with brackets into the tracks, then tighten to secure the frame. (Fig. 2)
- 4** Remember to fit the mid-brace/s if your frame is 3000mm or more in width. These help to give stability to the frame.
- 5** Finally, screw the feet into the base of the frame, using the supplied M6 bolts.

Installing Graphics:

- 1** First, insert the PVC edging of the graphic into the top left and right hand corners of the frame.
- 2** Next, insert the very middle of the top of the graphic into the track, to hold the top edge in place.



(Fig. 4) Graphic Fitting Diagram

- 3** After this, attach the bottom left and right hand corners into the PVC track.
- 4** Attach the middle part of the bottom graphic.
- 5** Insert the middle parts of the vertical edges of the fabric.
- 6** Secure the loose edges on the left and right sides of the frame.
- 7** Finally, insert the remaining PVC on the top and bottom edges of the frame, which will pull the graphic tight.